

FG 100

가 가



가 : ppm, %VOL, %LEL

	4	, LCD,	50 x 34.9mm
	ABS, IP54		
	5		
	Electromagnetical compatibility (NF EN 61326-1 guideline)		
	1	9V 6LR61	
	Neutral gas		
	0 ~ 50		
	-20 ~ +80		
	0 ~ 120		
	200 g		
	30 cm		

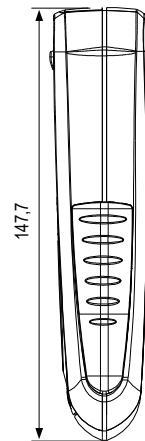
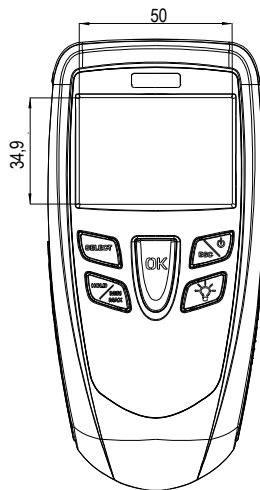
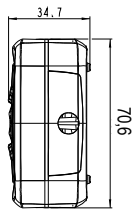
- (CH₄), LPG(가 &), ()
- ppm, %VOL, %LEL
-

ppm	0-10 000 ppm (GPL : 0-1800)		1 ppm
% VOL	0-1 % VOL	±20% of full scale at 20 °C at 65 %RH ± 5 %RH	0.001 % VOL
% LEL	0-20 % LEL		0.01 % LEL



*All accuracies indicated in this document were stated in laboratory conditions and can be guaranteed for measurements carried out in the same conditions, or carried out with required compensation.

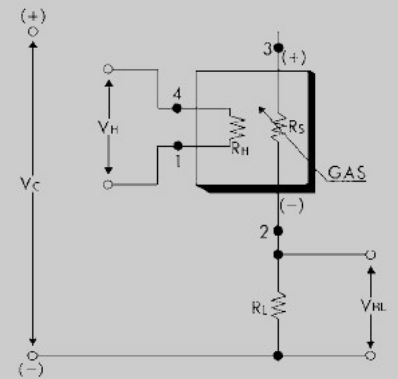
(mm)



- FG 100
- Adjusting certificate &



The sensitive element which enables the measurement of methane can be compared to a resistor. The value of this resistor changes according to the methane concentration. To get better the measurement quality, the sensitive element must be permanently kept at a fixed temperature.



%LEL : is the limiting concentrations of gas (in 'air) that is needed for the gas to ignite and explode.

%VOL : is the limiting concentrations of gas (in 'air) that is needed for the gas to ignite and explode expressed in percentage of volume in air.

CE 100

